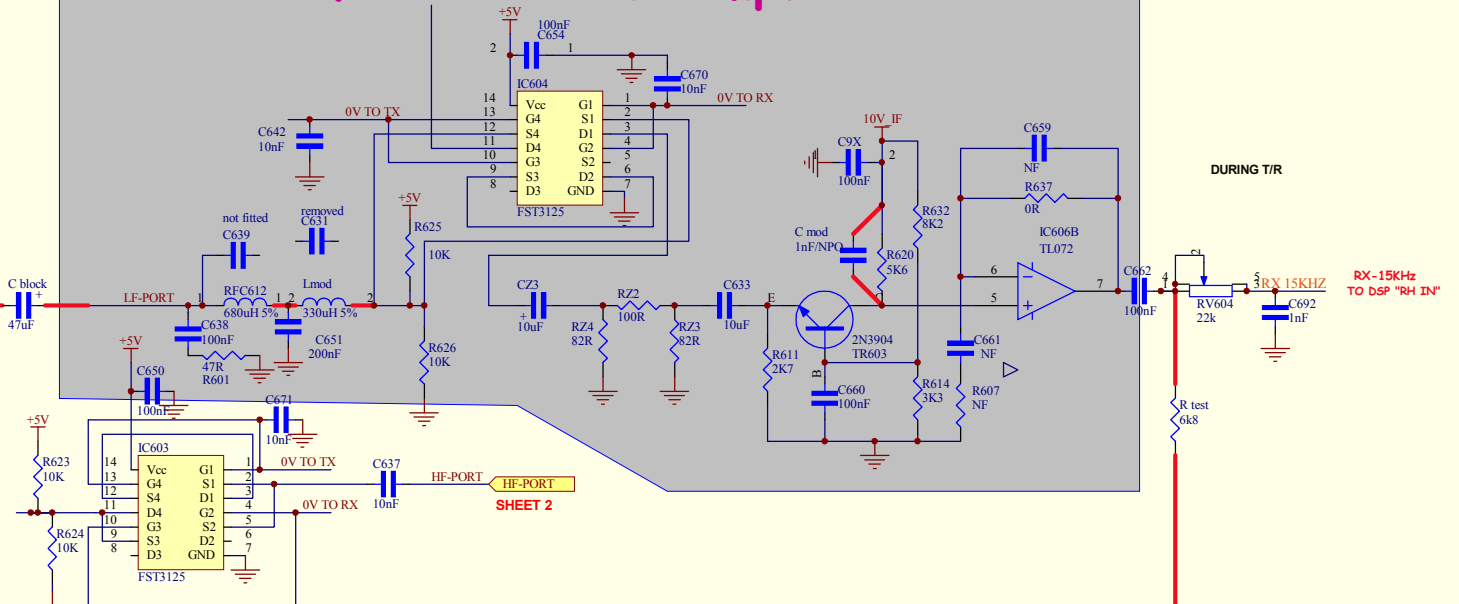
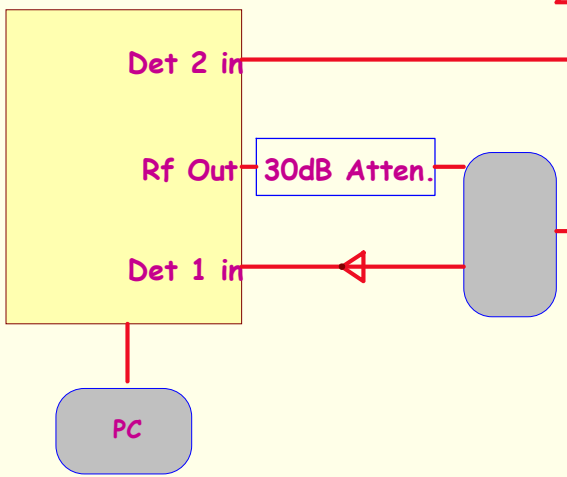


# Modified STAR IF Amp.



## N2PK VNA



## TEST SET-UP TO SWEEP DIPLEXER AND I.F. AMP OF PICASTAR

co-ax cables

Title		
Size	Number	Revision
B		
Date:	19-Jun-2010	Sheet of
File:	F:\COMBO BBU\TEST-SETUP DIPLEXER I.F. AMP PICASTAR.Sch	